

SYMBOL	DESCRIPTION
	SUPPLY / EXHAUST FAN
	LINT TRAP
	SUPPLY AIR
	EXHAUST AIR
	RETURN AIR
	OUTSIDE AIR
	TRUNK ARR.
	DUCT TURNING UP
	DUCT TURNING DOWN
	DUCT GOING UP & DOWN

### GENERAL NOTES

1. ROUTING IS DIAGRAMMATIC.
2. LOCATION OF TERMINALS IN EACH COMPARTMENT WILL BE DETERMINED ON THE ARRANGEMENT, TO BE FINALIZED DURING DETAIL DESIGN.
3. SYSTEM BALANCING HAS NOT BEEN FINALIZED.
4. NOT ALL REQUIRED EXHAUSTS ARE SHOWN.
5. HVAC ELEVATION DOES NOT ACCURATELY REFLECT JOINER FURNITURE.

### DRAWING INDEX

- |          |   |
|----------|---|
| SHEET 1  | SYMBOLS, ABBREVIATIONS & GENERAL NOTES              |
| SHEET 2  | HVAC DIAGRAM - 05 LEVEL                             |
| SHEET 3  | HVAC DIAGRAM - 04 LEVEL                             |
| SHEET 4  | HVAC DIAGRAM - 03 LEVEL                             |
| SHEET 5  | HVAC DIAGRAM - 02 LEVEL                             |
| SHEET 6  | HVAC DIAGRAM - 01 LEVEL                             |
| SHEET 7  | HVAC DIAGRAM - MAIN DECK                            |
| SHEET 8  | HVAC DIAGRAM - 2ND DECK                             |
| SHEET 9  | HVAC DIAGRAM - 3RD DECK                             |
| SHEET 10 | HVAC DIAGRAM - 4TH DECK FWD                         |
| SHEET 11 | HVAC DIAGRAM - 4TH DECK AFT                         |
| SHEET 12 | HVAC DIAGRAM - ELEVATION                            |
| SHEET 13 | HVAC DIAGRAM - TYPICAL DUCT ARRANGEMENT             |
| SHEET 14 | HVAC DIAGRAM - TYPICAL TRANSITION PIECE ARRANGEMENT |

### ABBREVIATIONS

- |      |   |                       |
|------|---|-----------------------|
| AHU  | - | AIR HANDLER UNIT      |
| ARR. | - | ARRANGEMENT           |
| CFM  | - | CUBIC FEET PER MINUTE |
| DIA. | - | DIAMETER              |
| EF   | - | EXHAUST FAN           |
| FZ   | - | FIRE ZONE             |

### REVISIONS

No.	DESCRIPTION	BY/DATE/APPD
-	INITIAL ISSUE	JMMS 11/29/16 EVR
1	REVISED PER ABS COMMENTS & DESIGN MODS - ADDED VENTILATION TO STAIRWELLS - ADDED EXHAUST TO INERGEN RM 1 - REPLACED GA WITH LATEST COPY - REVISED DUCTS BASED ON NEW GA	NJD 03/09/17 EVR

### REFERENCES

No.	TITLE	DWG No.
1	NSMV - HVAC SYSTEM DESIGN & CALCULATIONS	2015-017-03-15
2	NSMV - HVAC TREATED WATER SYSTEM DIAGRAM	2015-017-03-60
3	-	-
4	-	-
5	-	-
6	-	-
7	-	-
8	-	-
*	-	-



**Herbert Engineering Corp.**  
*Naval Architects*    *San Francisco*    *Glasgow*  
*Marine Engineers*    *Annapolis*    *Shanghai*  
*Ocean Engineers*    *www.herbert.com*

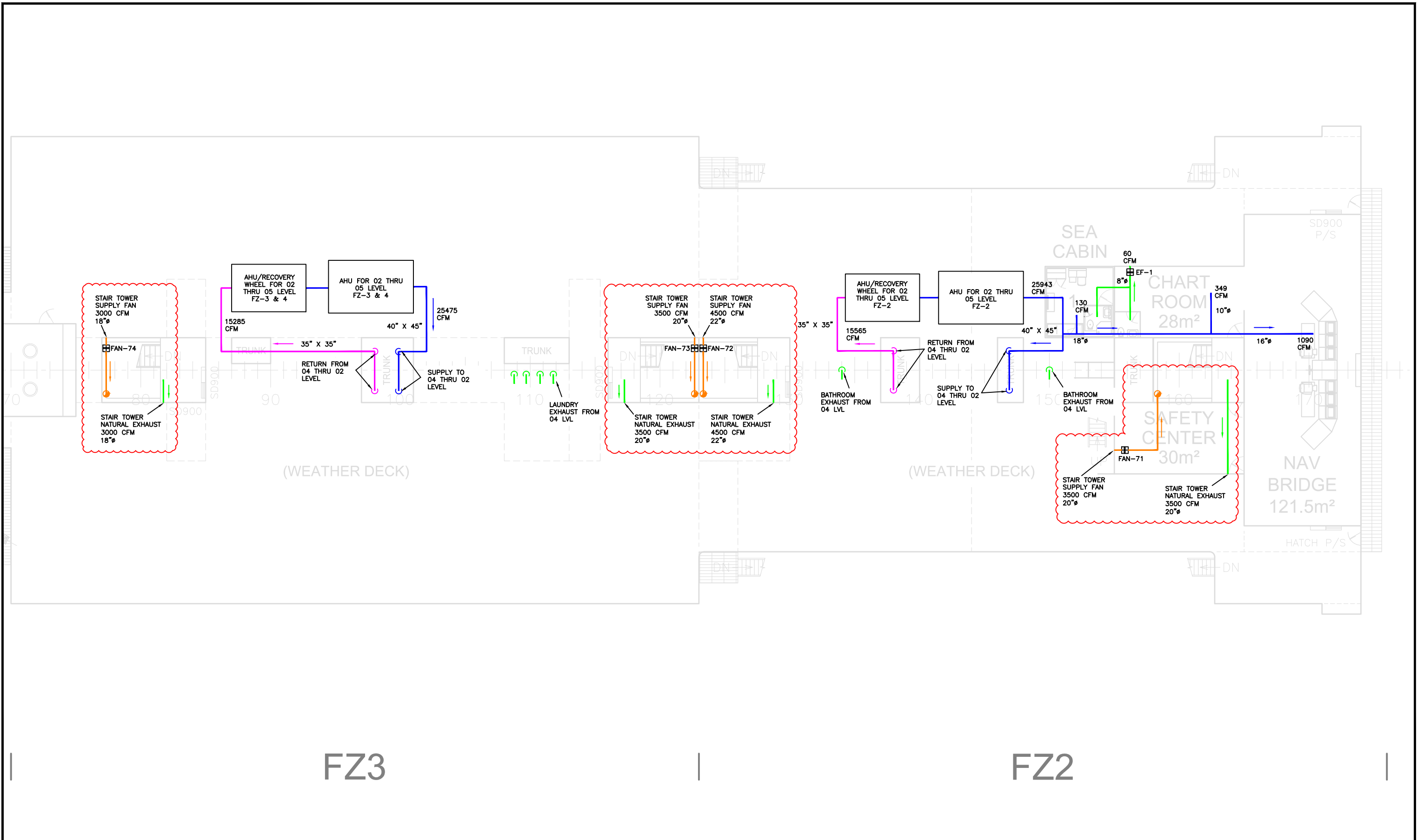
DRWN:	JMMS	DATE:	NOV 29, 2016	SCALE:	NTS
CHKD:	NJD	APPD:	EVR	ACADFILE:	150170361
PROJECT FILE:	2015-017-03	PLOTSCALE:	1:1 (on 11"x17")		
ABS APPROVAL:	-				

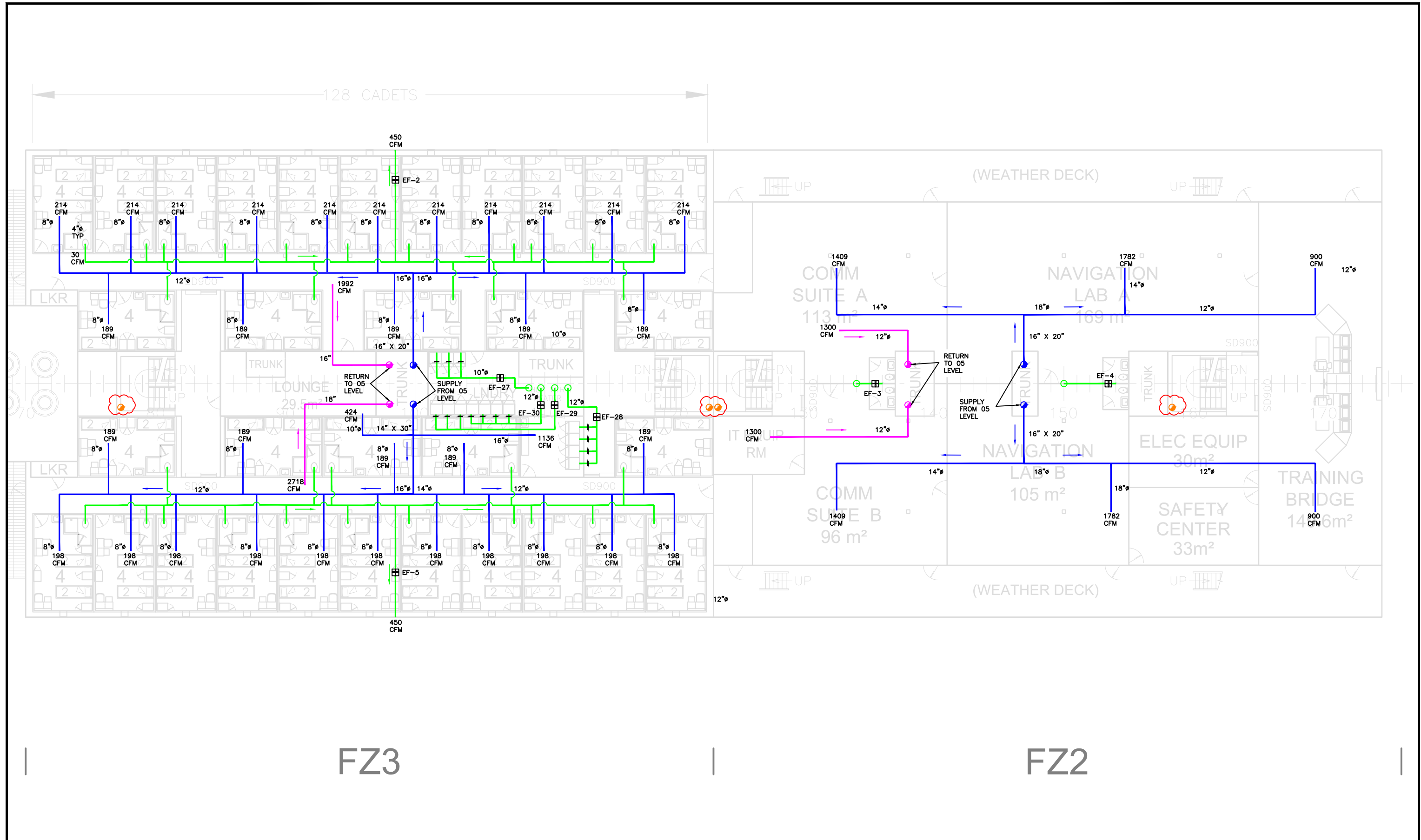


**U.S. Maritime Administration**

## NSMV PHASE 3 HVAC LAYOUT DIAGRAM

OWNER APPVL:	-	HEC DWG No.:	2015-017-03-61
DATE:	-	SHEET	1 OF 14
FILE:	-	REV	1





FZ3

FZ2



SCALE: NTS  
SCOPE: HVAC LAYOUT DIAGRAM

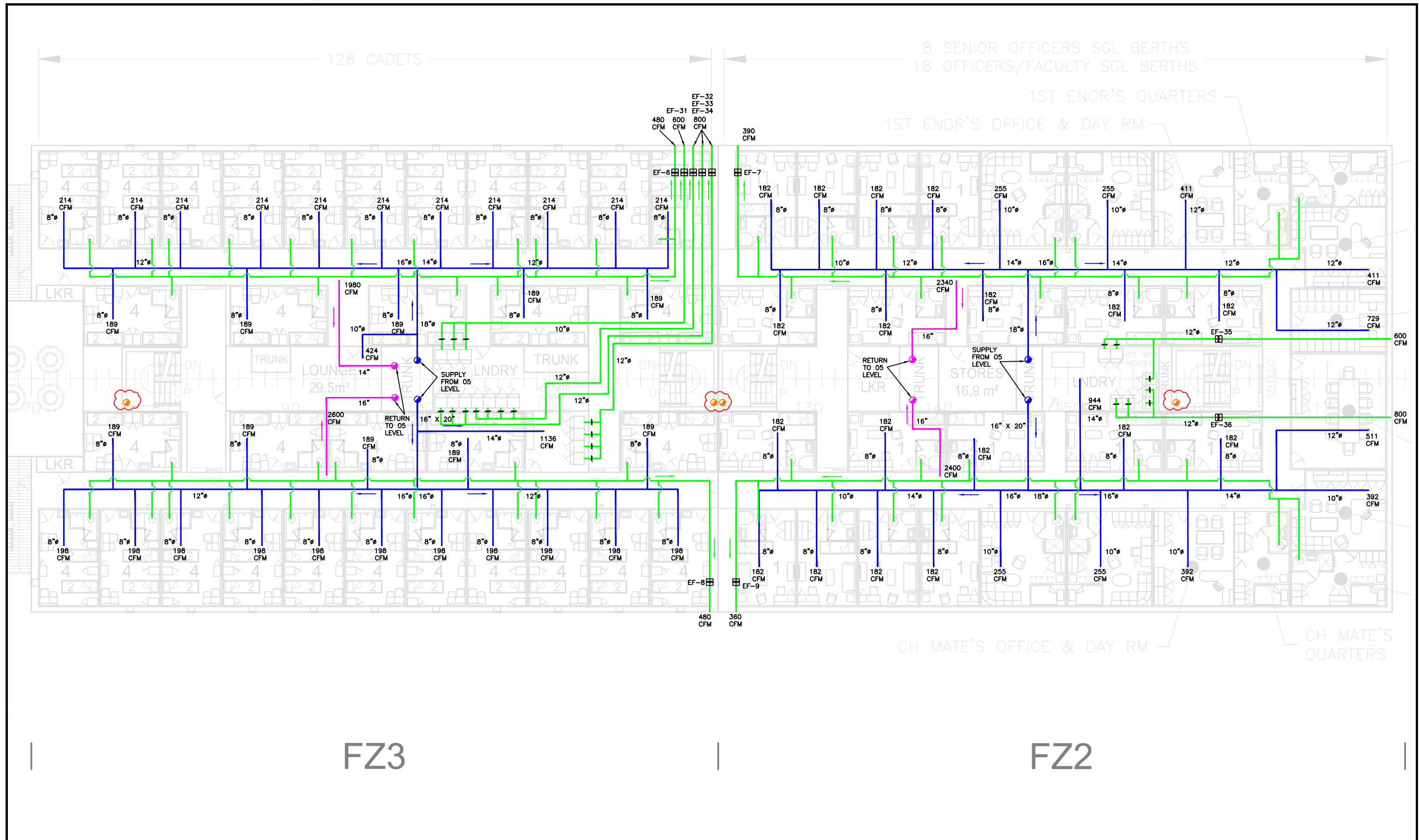


U.S. Maritime Administration

NSMV - HVAC DIAGRAM  
04 LEVEL

2015-017-03-61

SHEET 3 OF 14 REV 1



FZ3

FZ2



SCALE: NTS  
SCOPE: HVAC LAYOUT DIAGRAM



U.S. Maritime Administration

NSMV - HVAC DIAGRAM  
03 LEVEL

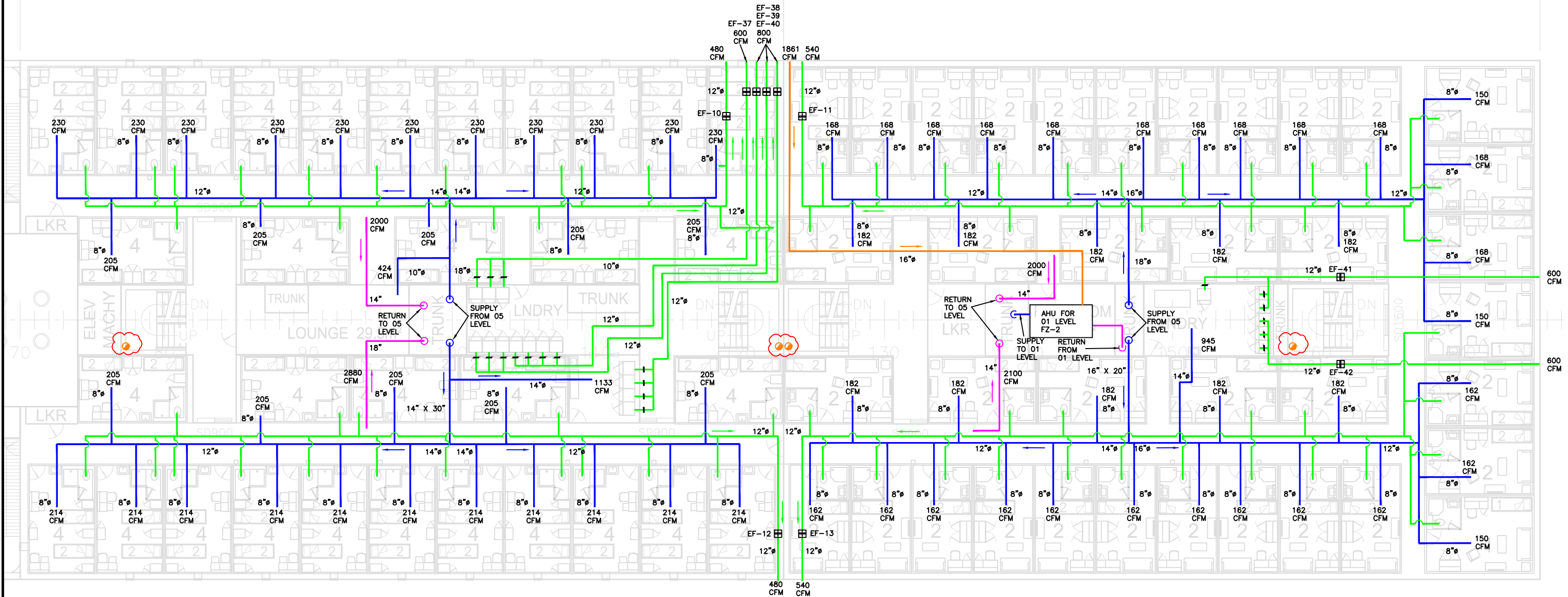
2015-017-03-61

SHEET 4 OF 14 REV 1

PROJECT FILE: 2015-017-03

128 CADETS

37 OFFICERS/FACULTY (SGL OCCUPANCY)  
71 OFFICERS/FACULTY (DBL OCCUPANCY)



FZ3

FZ2



SCALE: NTS  
SCOPE: HVAC LAYOUT DIAGRAM



U.S. Maritime Administration

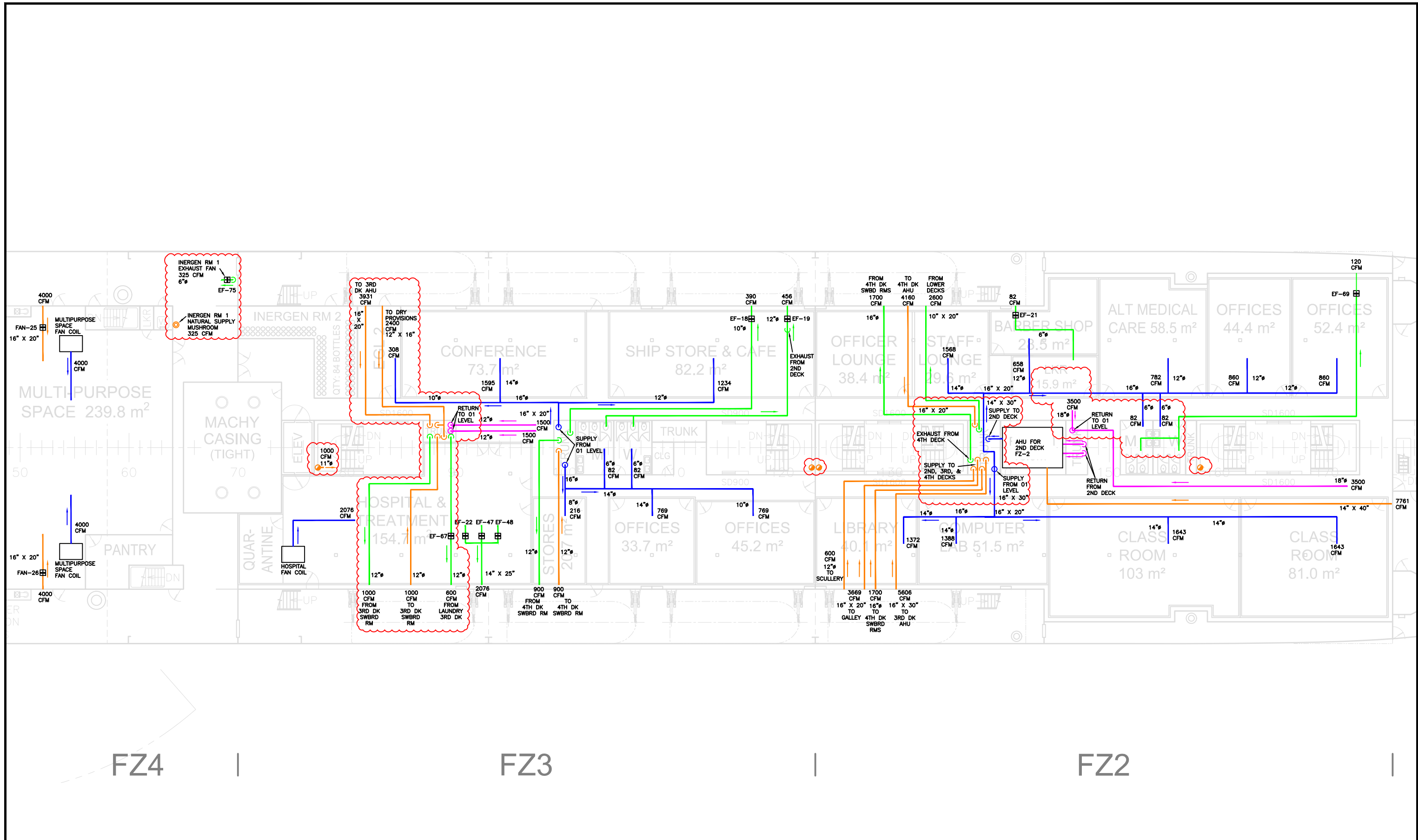
NSMV - HVAC DIAGRAM  
02 LEVEL

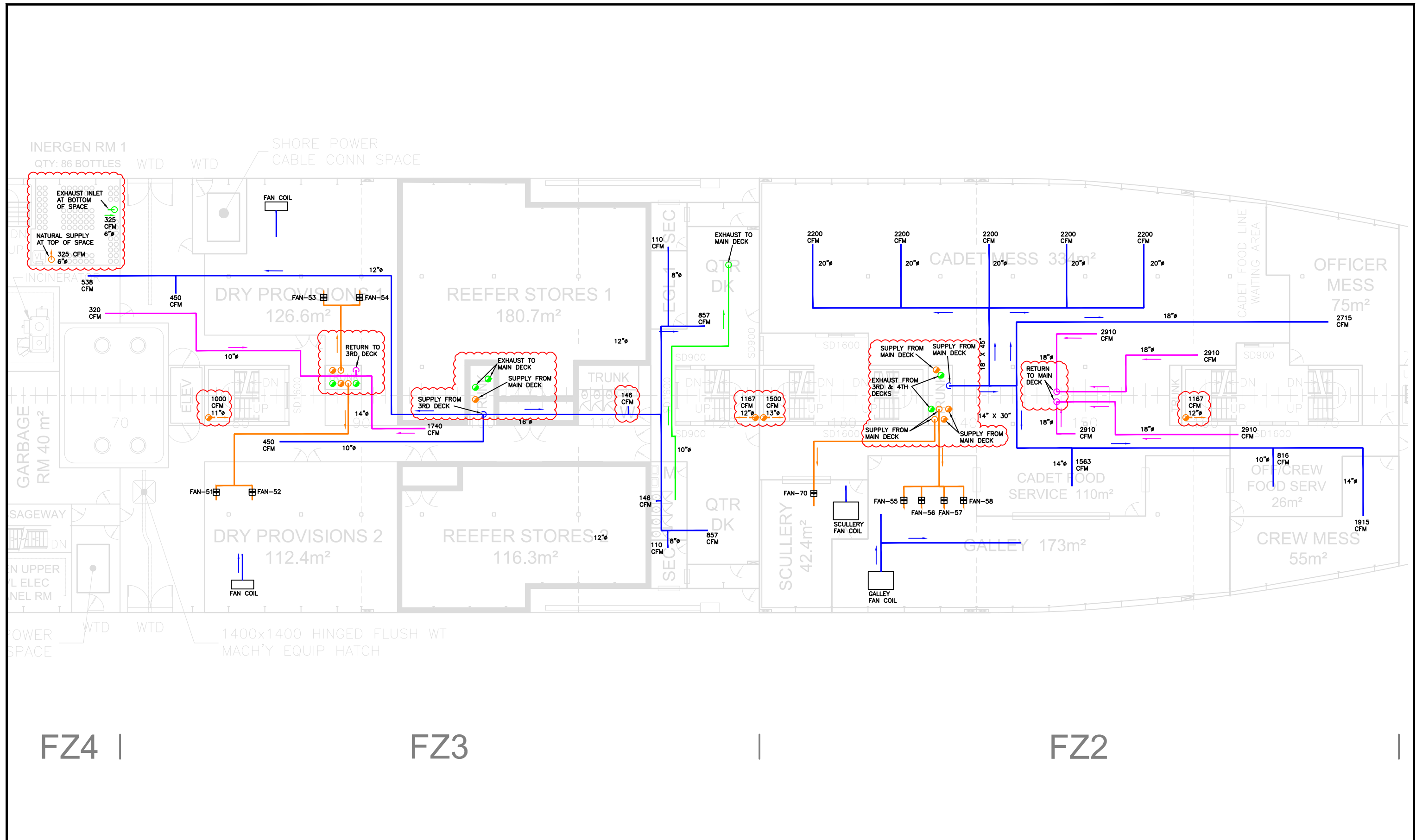
2015-017-03-61

SHEET 5 OF 14 REV 1

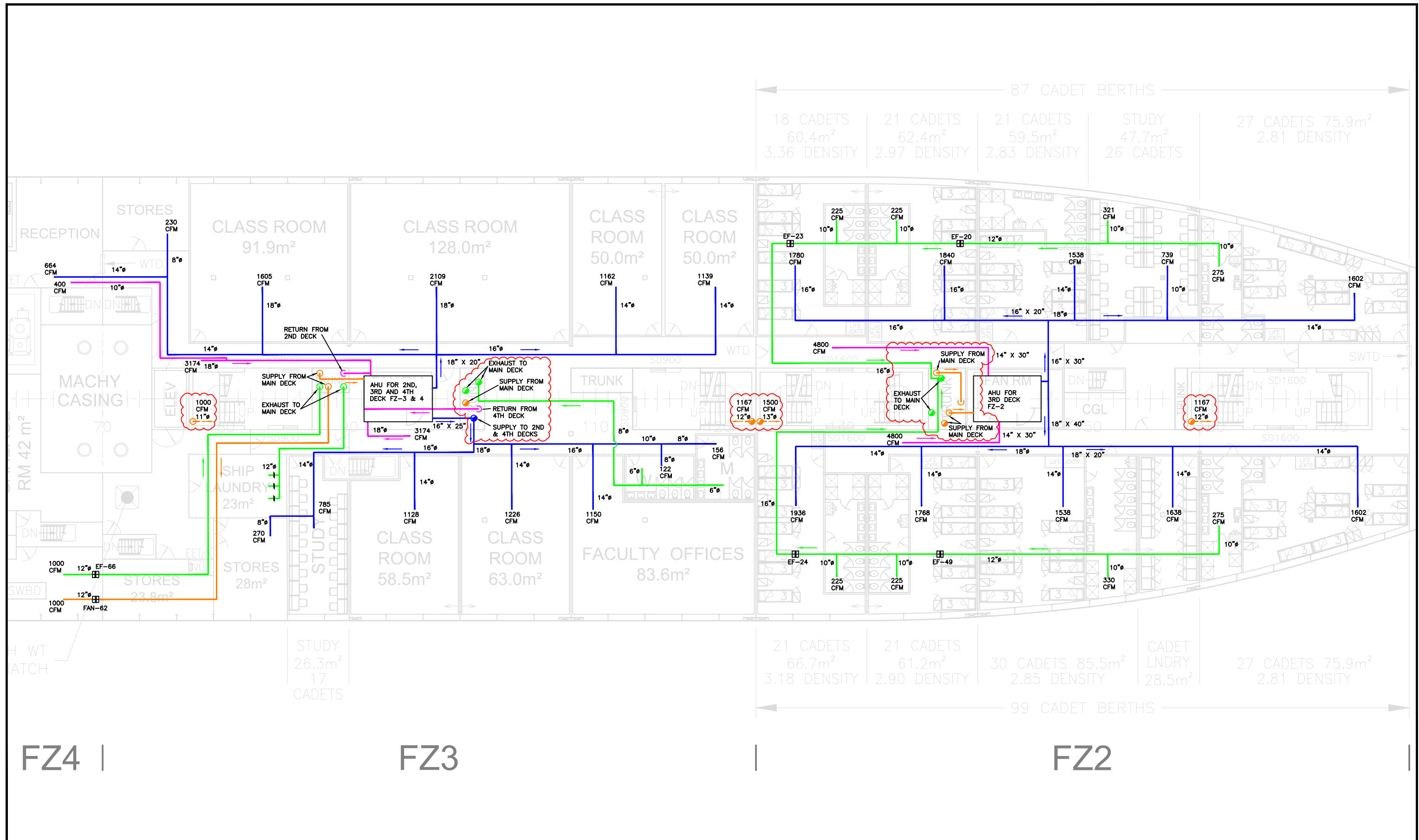


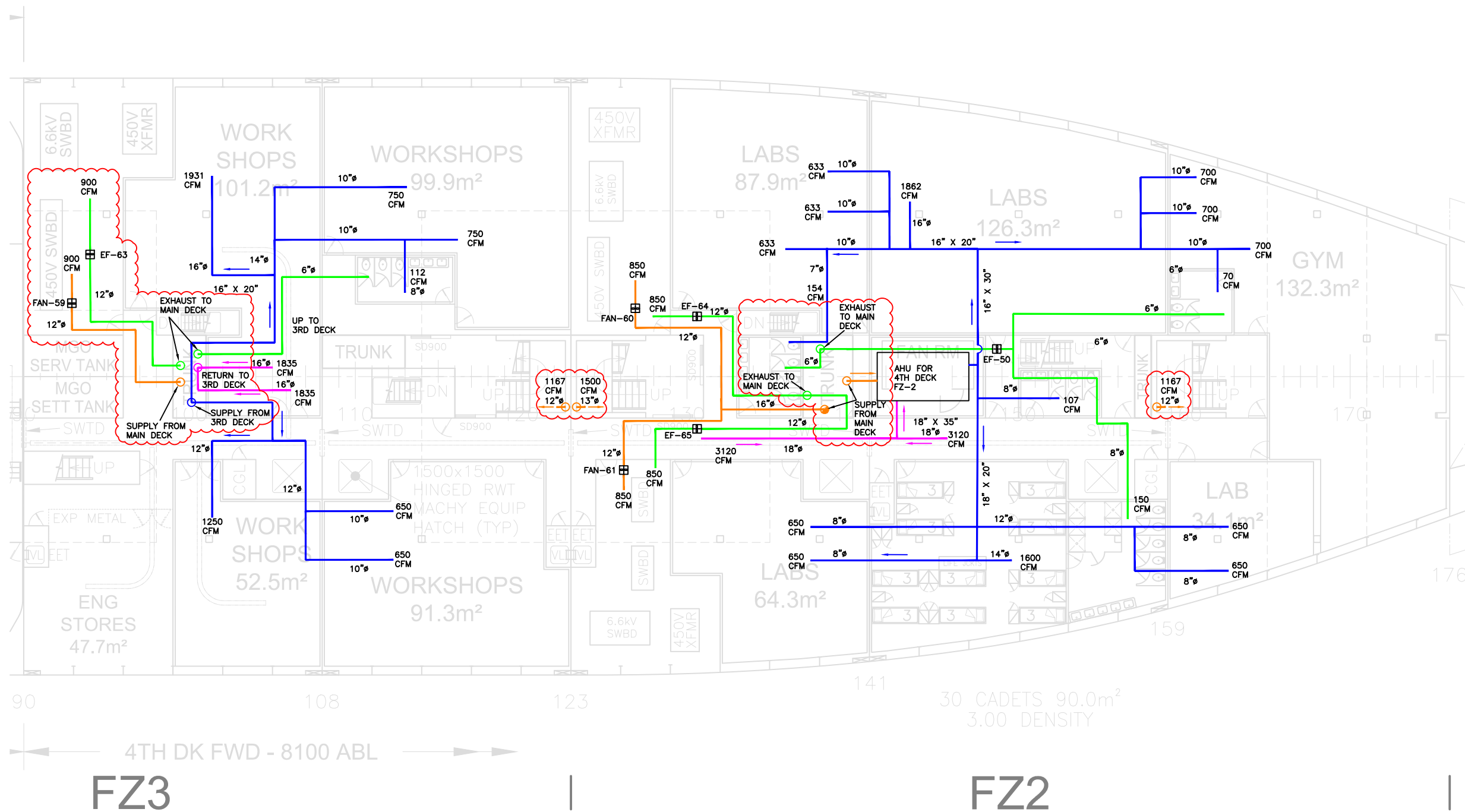


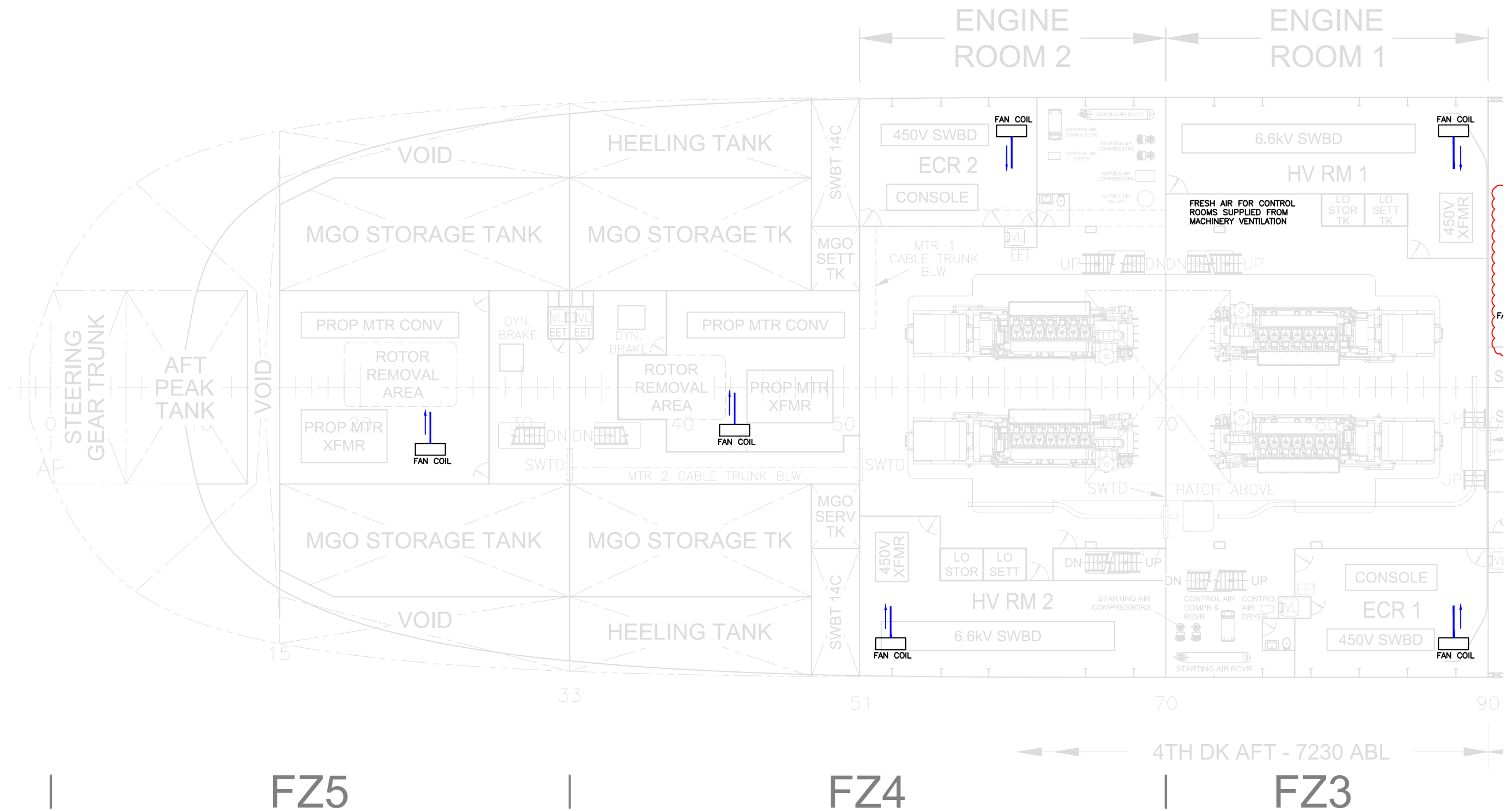


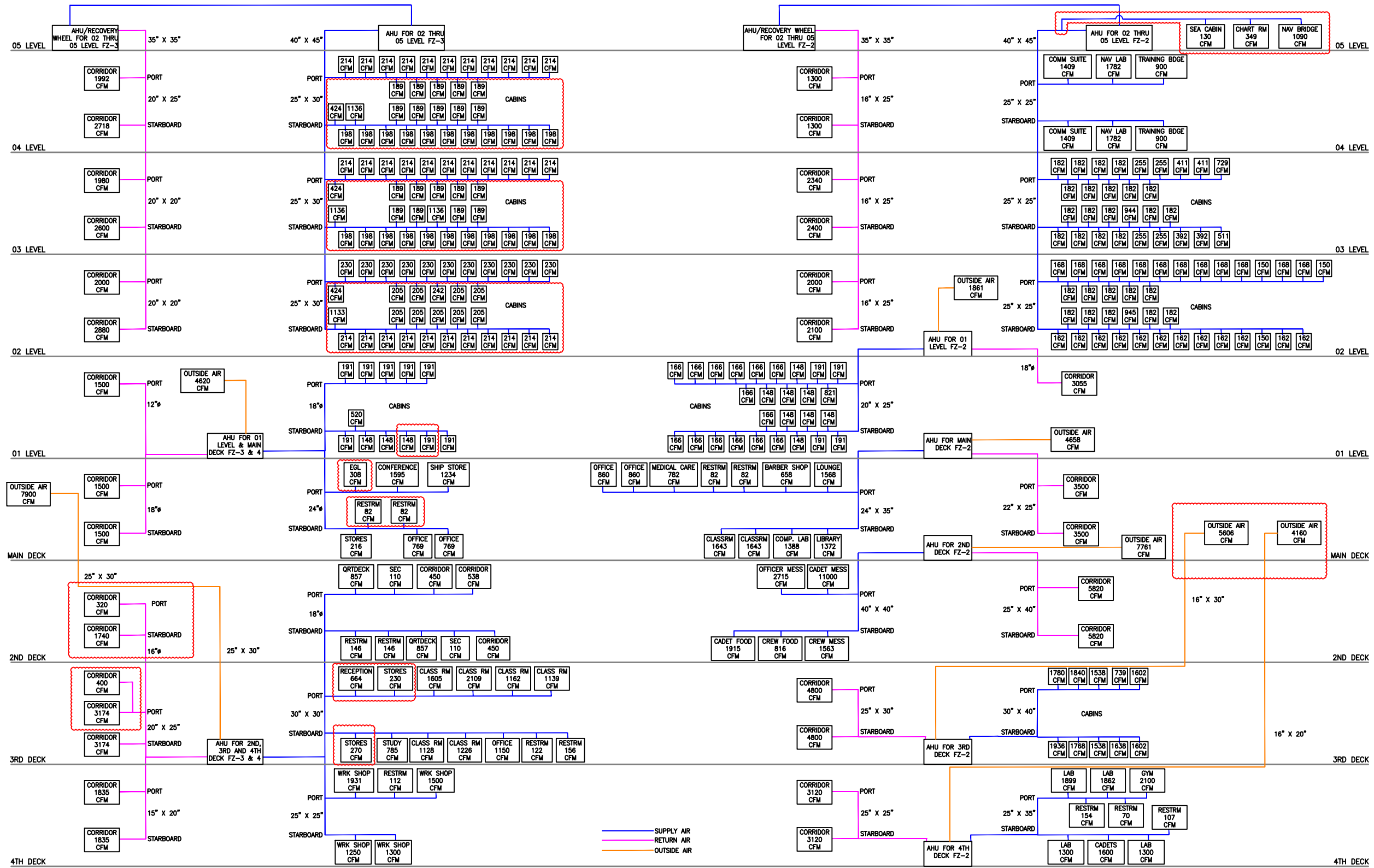












SCALE: NTS  
SCOPE: HVAC LAYOUT DIAGRAM



U.S. Maritime Administration

NSMV - HVAC DIAGRAM  
ELEVATION

2015-017-03-61

SHEET 12 OF 14 REV 1

